

## Submittal Data Sheet

### Features

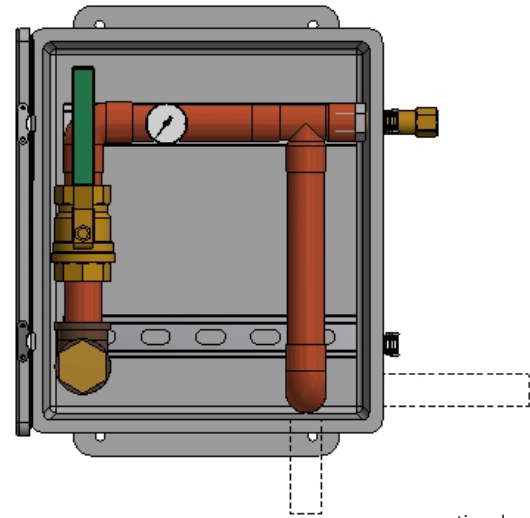
- Made in the U.S.A.
- Designed in accordance with NFPA 99
- Rugged fiberglass NEMA 4 weather-tight enclosure with padlock staple to prevent tampering or unauthorized access (16”H x 14”W x 6”D)
- 1” NPTF oxygen inlet – supports high flow requirements (larger sizes 1 ¼”, 1 ½” & 2” are available)
- Entire assembly is cleaned for oxygen service and capped
- Available with; side, bottom or back connection point
- Includes a ¾” 75 psig safety relief valve

### Specification

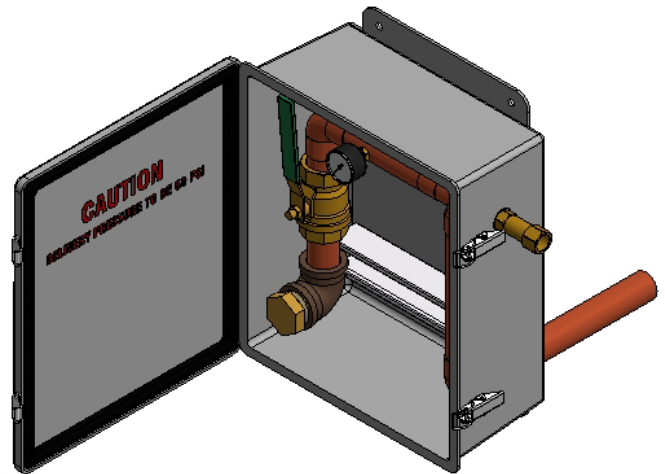
The Powerex PX-EOI-100 series Emergency Inlet Box provides an inlet for connection a temporary auxiliary source of oxygen to the oxygen pipeline system for emergency or maintenance situations as recommended by NFPA 99.

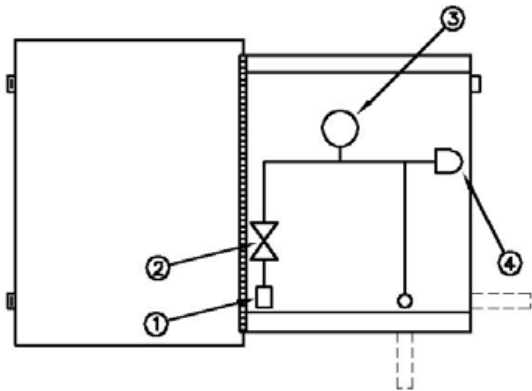
The Powerex PX-EOI-100 series Emergency Inlet Box consists of a ball valve, pressure gauge and a NPTF (plugged) connection housed in a tamper resistant, weathertight, maintenance free, fiberglass enclosure. The enclosure is labeled “Emergency Low Pressure Gaseous Oxygen Inlet,” and includes a padlock staple to prevent tampering or unauthorized access. The Powerex PX-EOI-100 series Emergency Inlet Box should be connected at a point downstream of the main supply line shutoff valve.

A 75 psig relief valve is included in the Powerex PX-EOI-100 series Medical Emergency Inlet Box as recommended by NFPA 99. The relief valve has a brass body, single seat design, and is cleaned for oxygen. The relief valve automatically opens to ‘relieve’ or vent pressures greater than 75 psig to atmosphere and will automatically reset to provide a bubble tight seal after the pressure drops below 75 psig.

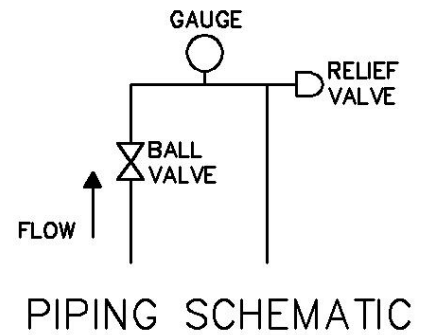
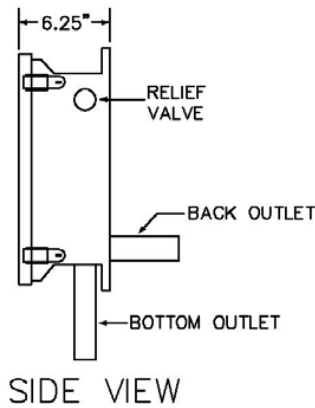
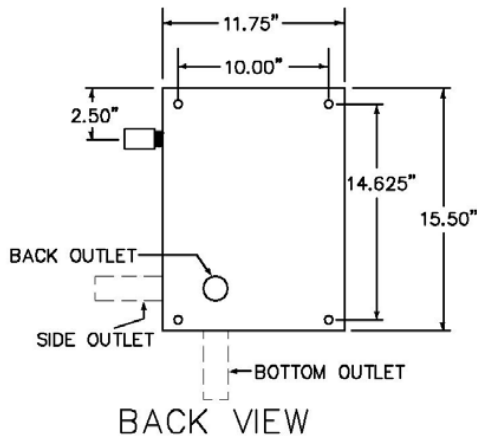
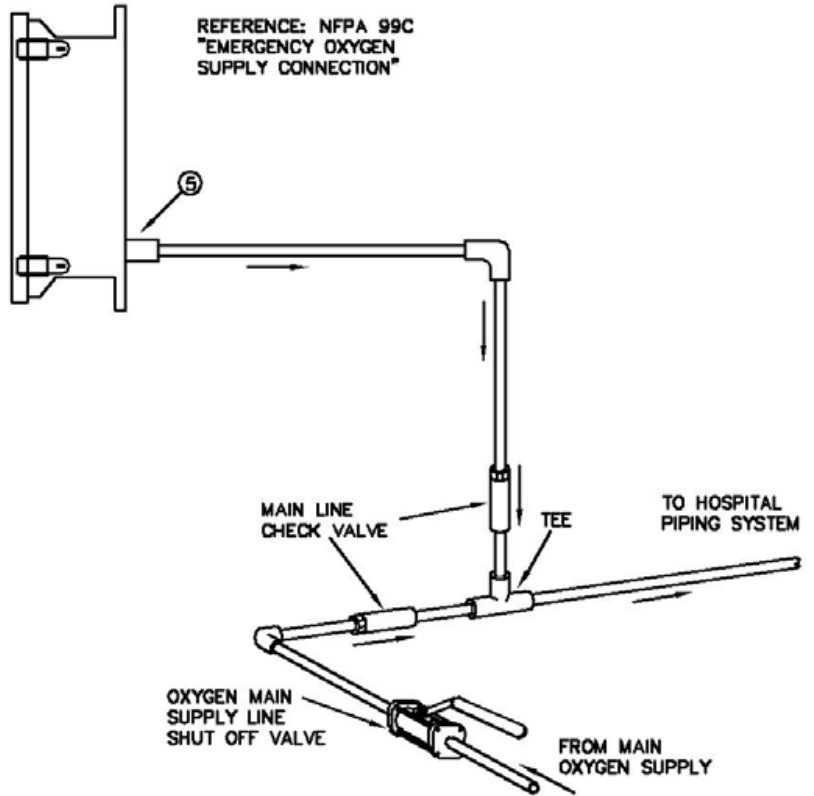


optional outlet





- 1) SUPPLY CONNECTION
- 2) SHUT OFF VALVE
- 3) 0-100 PSI GAUGE
- 4) PRESET PRESSURE RELIEF VALVE (75 PSI)
- 5) EMERGENCY LINE OUTLET



VALVE SIZE	OVER ALL		
	1"	14"	12"
1 1/4"	16"	14"	6"
1 1/2"	20"	16"	8"

**Ordering Information**

Part #	Description
EOI-100-Back	1" Emergency Oxygen Inlet Box with back outlet connection, with internal 1" ball valve, gauge and 75 PSI relief valve in a lockable weather tight enclosure
EOI-100-Bottom	1" Emergency Oxygen Inlet Box with bottom outlet connection, with internal 1" ball valve, gauge and 75 PSI relief valve in a lockable weather tight enclosure
EOI-100-Side	1" Emergency Oxygen Inlet Box with side outlet connection, with internal 1" ball valve, gauge and 75 PSI relief valve in a lockable weather tight enclosure

Part #	Description
EOI-125-Back	1 1/4" Emergency Oxygen Inlet Box with back outlet connection, with internal 1 1/4" ball valve, gauge and 75 PSI relief valve in a lockable weather tight enclosure
EOI-125-Bottom	1 1/4" Emergency Oxygen Inlet Box with bottom outlet connection, with internal 1 1/4" ball valve, gauge and 75 PSI relief valve in a lockable weather tight enclosure
EOI-125-Side	1 1/4" Emergency Oxygen Inlet Box with side outlet connection, with internal 1 1/4" ball valve, gauge and 75 PSI relief valve in a lockable weather tight enclosure

Part #	Description
EOI-150-Back	1 1/2" Emergency Oxygen Inlet Box with back outlet connection, with internal 1 1/2" ball valve, gauge and 75 PSI relief valve in a lockable weather tight enclosure
EOI-150-Bottom	1 1/2" Emergency Oxygen Inlet Box with bottom outlet connection, with internal 1 1/2" ball valve, gauge and 75 PSI relief valve in a lockable weather tight enclosure
EOI-150-Side	1 1/2" Emergency Oxygen Inlet Box with side outlet connection, with internal 1 1/2" ball valve, gauge and 75 PSI relief valve in a lockable weather tight enclosure

Part #	Description
EOI-200-Back	2" Emergency Oxygen Inlet Box with back outlet connection, with internal 2" ball valve, gauge and 75 PSI relief valve in a lockable weather tight enclosure
EOI-200-Bottom	2" Emergency Oxygen Inlet Box with bottom outlet connection, with internal 2" ball valve, gauge and 75 PSI relief valve in a lockable weather tight enclosure
EOI-200-Side	2" Emergency Oxygen Inlet Box with side outlet connection, with internal 2" ball valve, gauge and 75 PSI relief valve in a lockable weather tight enclosure